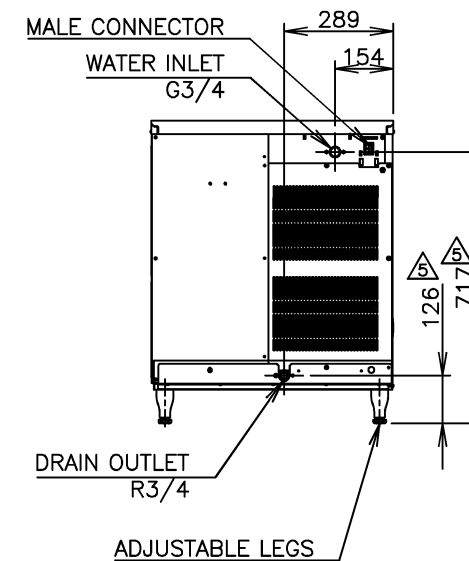
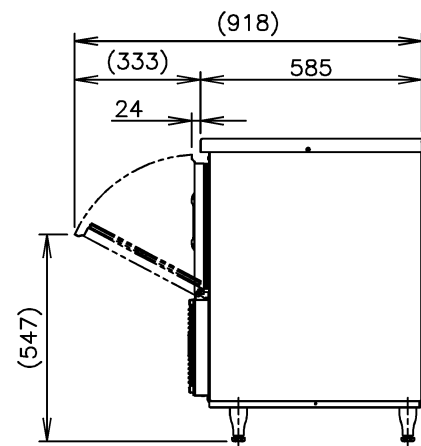
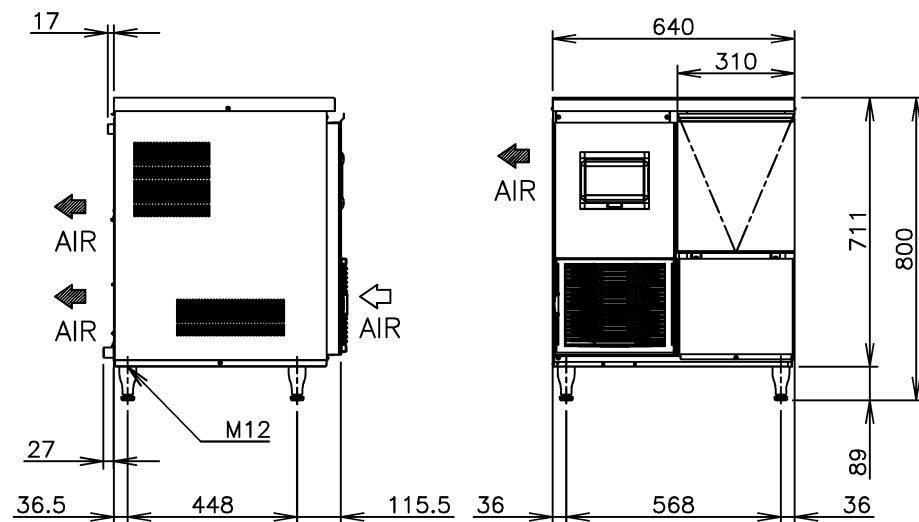
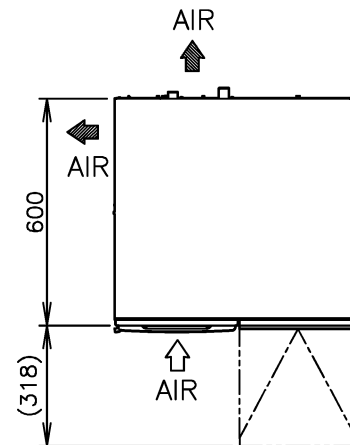


ITEM	HOSHIZAKI CUBELET ICE MAKER
MODEL	CM-140KE
POWER SUPPLY	1 Phase 220-240V 50Hz Capacity: 1.46kVA (6.4A)
AMPERAGE	5.1A Starting: 20A
ELECTRIC CONSUMPTION	640W (Power Factor: 58%)
ICE PRODUCTION PER 24h	Approx.140kg (Ambient Temp. 10°C, Water Temp. 10°C) Approx.115kg (Ambient Temp. 21°C, Water Temp. 15°C) Approx.95kg (Ambient Temp. 32°C, Water Temp. 21°C)
SHAPE OF ICE	Cubelet
MAX. STORAGE CAPACITY	Approx. 32kg - Leveled (Bin Control Setting Approx. 27kg)
WATER CONSUMPTION PER 24h	Approx.0.140m <sup>3</sup> (Ambient Temp. 10°C, Water Temp. 10°C) Approx.0.115m <sup>3</sup> (Ambient Temp. 21°C, Water Temp. 15°C) Approx.0.095m <sup>3</sup> (Ambient Temp. 32°C, Water Temp. 21°C)
OUTSIDE DIMENSIONS	640mm(W) x 600mm(D) x 800(798~833)mm(H)
INSULATION FOAM BLOWING AGENT	HFC-free
HEAT REJECTION	1120W (Ambient temp.32°C, Water temp.21°C)
CABINET	Stainless Steel, Galvanized Steel (Rear)
ICE MAKING SYSTEM	Thin ice forming inside Cylinder (Flake Ice)
WATER SUPPLY SYSTEM	Direct Connection to Water Main, Inlet: G3/4 (Rear)
DRAIN SYSTEM	Outlet: R3/4 (Rear)
COMPRESSOR	Hermetic
CONDENSER	Fin and Tube type, Air-cooled
EVAPORATOR	Tube coiled around Cylinder (Solder Plated)
REFRIGERANT	R134a/220g
BIN CONTROL	Actuator and Reed Switch (Time delay controlled)
ICEMAKING WATER CONTROL	Float Switch and Solenoid Valve
ELECTRICAL CIRCUIT PROTECTION	10A Circuit Breaker
REFRIGERANT CIRCUIT PROTECTION	Compressor Internal Thermostat Condensing Temperature detected by Thermistor (Auto-reset)
MECHANISM PROTECTION	Micro switch (Manual-reset)
INTERLOCK	Shutdown by Microprocessor (Manual-reset)
WEIGHT	Net: 71kg (Gross 82kg)
PACKAGE	Carton 746(W) x 706(D) x 887mm(H)
ACCESSORIES	Scoop, Installation Kit
OPERATING CONDITIONS	Ambient Temp.: 5 - 40°C, Water Supply Temp.: 5-35°C Water Supply Pressure: 0.05-0.8MPa, Voltage Range: Rated Voltage±10%



\*We reserve the right to make changes in specifications and design without prior notice.

1. Install the ice maker properly in accordance with the instructions on location, water supply/drain connections and electrical connections stated in the instruction and installation manuals provided.
2. The ice production depends on the ambient and water temperatures. Refer to the instruction manual.
3. Product Code: F080-C103

# HOSHIZAKI CUBELET ICE MAKER CM-140KE (SELF-CONTAINED TYPE)

APPROVED YOSHIDA	CHECKED KUROYANAGI	DESIGNED KOSHI	DRAWN WATANABE	SCALE 1/20	TRIGONOMETRY
KUROYANAGI	KONDO	DATE 2017.04.03	DATE 2012.03.08	DRAWING NO. D11191	SYMBOL 5
APPROVED	DESIGNED	SYMBOL	DATE		