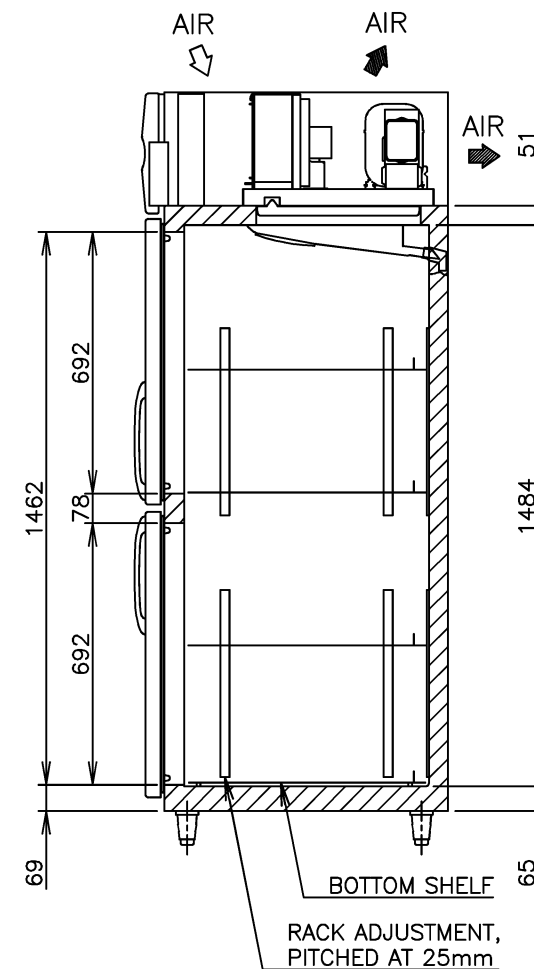
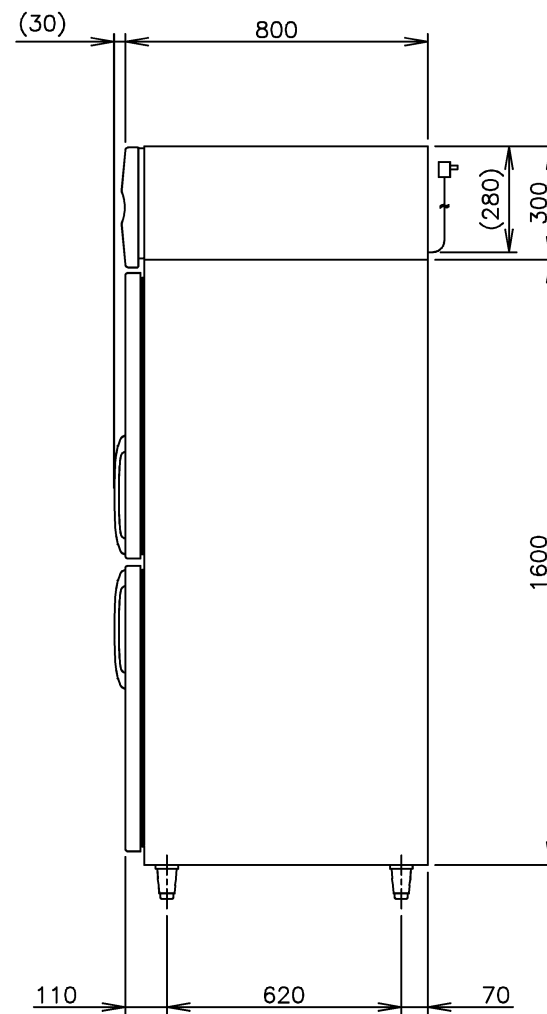
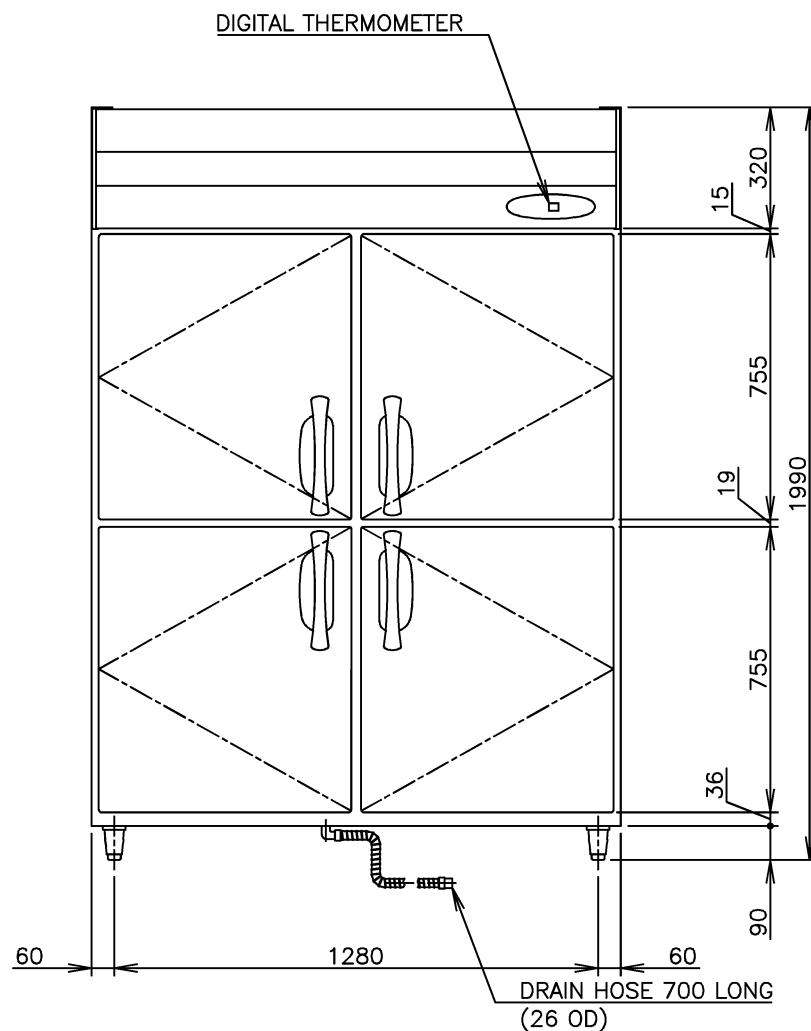


ITEM	Hoshizaki Reach-in Freezer
MODEL	HFE-147B-CHD
POWER SUPPLY	1 Phase 220V~ 50Hz Capacity: 1.26kVA (5.5A)
AMPERAGE	Rated: 3.8A Starting: 20.0A
ELECTRIC CONSUMPTION	658W Heater: 460W Defrost: 350W
HEAT REJECTION	1.330W
POWER CORD	2.3m (Plug with Earth Wire)
EFFECTIVE CAPACITY	1146L
OUTSIDE DIMENSIONS	1400mm(W)×800mm(D)×1990(-2020)mm(H)
INSIDE DIMENSIONS	1296mm(W)×646mm(D)×1484mm(H)
EXTERIOR	Stainless Steel, Galvanized Steel(Rear, Bottom)
INTERIOR	Stainless Steel, ABS Plastic(Door)
INSULATION	Polyurethane Foam
INSULATION FOAM BLOWING AGENT	Cyclopentane
REFRIGERATION SYSTEM	Forced Air Circulation
DEFROST SYSTEM	Heater
COMPRESSOR	Hermetic
CONDENSER	Fin and Tube type, Air-cooled
EVAPORATOR	Fin and Tube type
REFRIGERANT	R404A
TEMPERATURE CONTROL	Microprocessor (Digital Temp. Indication) Adjustable from -25 to -7℃
DEFROST CONTROL	Microprocessor
ELECTRIC CIRCUIT PROTECTION	Earth Wire, Circuit Breaker
REFRIGERANT CIRCUIT PROTECTION	Motor Protector (Auto-reset)
LEG	Plastic Adjustable from 90 to 120mm
SHELF	8 pcs. (Include Bottom Shelf)
WEIGHT	167kg (Gross 197kg)
PACKAGE	Carton (Wooden Pallet) 1460mm(W)×920mm(D)×2075mm(H)
ACCESSORIES	Drain Hose×1
OPERATING CONDITIONS	Ambient Temperature: 5 - 43℃ Voltage Range: Rated Voltage ±6%

*We reserve the right to make changes in specifications and design without prior notice.

1. Install the product properly in accordance with the instructions on location, water supply/ drain connections and electrical connections stated in the instruction and installation manuals provided.
Allow 10mm extra space at the installation site to meet any installation requirements (additional spacing is also required for proper air flow and pipe connections).
2. The heat rejection is based on the reached pulldown temperature at ambient temperature of 43℃.
3. Product Code: R279



HOSHIZAKI REACH-IN FREEZER HFE-147B-CHD

APPROVED ISHIGURO	CHECKED TAKAOKA	DESIGNED KATO	DRAWN WATANABE	SCALE 1/20	TRIGONOMETRY
NAGASE	WANGQY	2020.07.14	DATE 2011.12.13	DRAWING NO. D10755	SYMBOL 4
APPROVED	DESIGNED	SYMBOL	DATE		